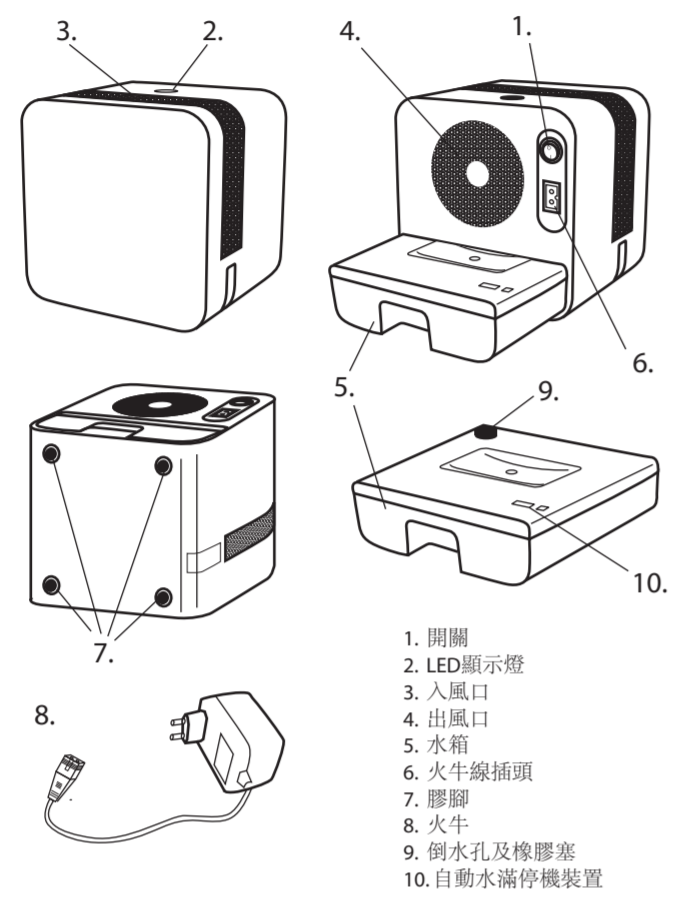


部件名稱



1. 功能

本迷你抽濕機使用半導體抽濕技術 (不含壓縮機及化學物質), 環保、輕巧、寧靜。專利之ERS半導體抽濕技術能有效加強抽濕量。
 缺乏空氣流通的空間容易滋生氣味、細菌或其他真菌。本迷你抽濕機去除空氣內多餘水分, 令空氣清爽, 解決此等問題。
 本抽濕機更內置光觸媒 (PCO) 空氣清新功能, 利用二氧化鈦和紫外線產生的化學作用, 能有效殺死空氣內的細菌、真菌、病毒、致敏原、去除煙味、臭味及有機揮發物 (VOC)。令空氣保持潔淨, 清爽。

2. 規格

- 抽濕量: 約350毫升一天 (30°C, 80%相對濕度)
- 電源輸入: AC100~240V, 50/60HZ 輸出: 9V 3A
- 水箱容量: 650毫升
- 機身尺寸: 150(L) x 178(W) x 178(H)
- 機身重量: 1050g ± 30g

3. 連接及使用

1. 開啟包裝, 可以看到2個部分
 A. 抽濕機
 B. 火牛
2. 把火牛 (8) 的DC端插頭插到機身的火牛線插頭 (6), 然後把AC插頭插上電源插蘇。
3. 按開關鍵 (1) 到 "I" 位置, 開動抽濕機。機器運作時, LED顯示(2)為藍色。入氣口 (3) 裏面可以看到紫色的光觸媒顯示燈。同時可以感受到風從出風口 (4) 排出。
4. 如要關機, 按開關鍵 (1) 到 "O" 位置。

4. 水箱

1. 當水箱的水滿至大約650毫升, 機器的水滿自動關機裝置 (10) 启动, 機器自動暫停運作。LED顯示 (2) 变为橙色。
2. 如需移出水箱, 请先按開關鍵 (1) 到 "O" 位置关机, 然后握着手柄拉出水箱。把水箱的橡胶塞打开, 然后把水倒出。
3. 水完全倒出後, 把橡胶塞塞回倒水孔。把水箱套回機身上。如需繼續抽濕, 請按開關鍵 (1) 到 "I" 位置重新开机。

5. 清潔

清潔機器前, 請關機, 及把鍵接上電源的火牛線拔掉。
 用一塊軟布清潔機器表面, 或用刷子把入風口網 (3) 过多的塵刷掉。

6. 警告

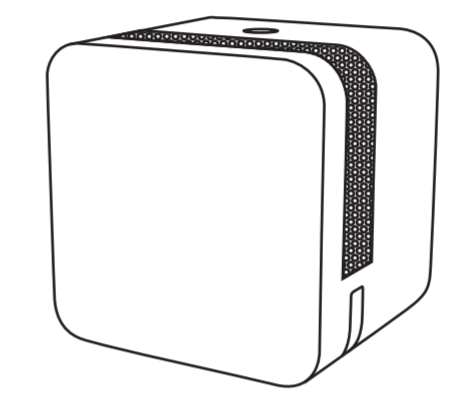
1. 每次用完后, 必須關機, 按開關鍵 (1) 到 "O" 位置。
2. 避免在過濕或積水的地方使用火牛, 把火牛放置在空氣有足夠流通的地方。
3. 保持入風口暢通, 不要在上面放上雜物, 如衣服, 膠袋, 或紙張。
4. 如果正常連接和開機後沒不能啟動, 請聯系合資格的電工檢查機器。
5. 應市場把機器垂直放置和使用。不要把機器傾斜放置, 導致水箱的水溢出。

GD350
 迷你抽濕機
 Mini Dehumidifier

便攜、低能耗迷你抽濕機, 超低噪音, 適合在您的房間、衣櫃, 抽屜或任何儲物空間使用。
 Portable mini dehumidifier which is convenient, with low power consumption and silent, for your rooms, closets, wardrobes and any storage area.



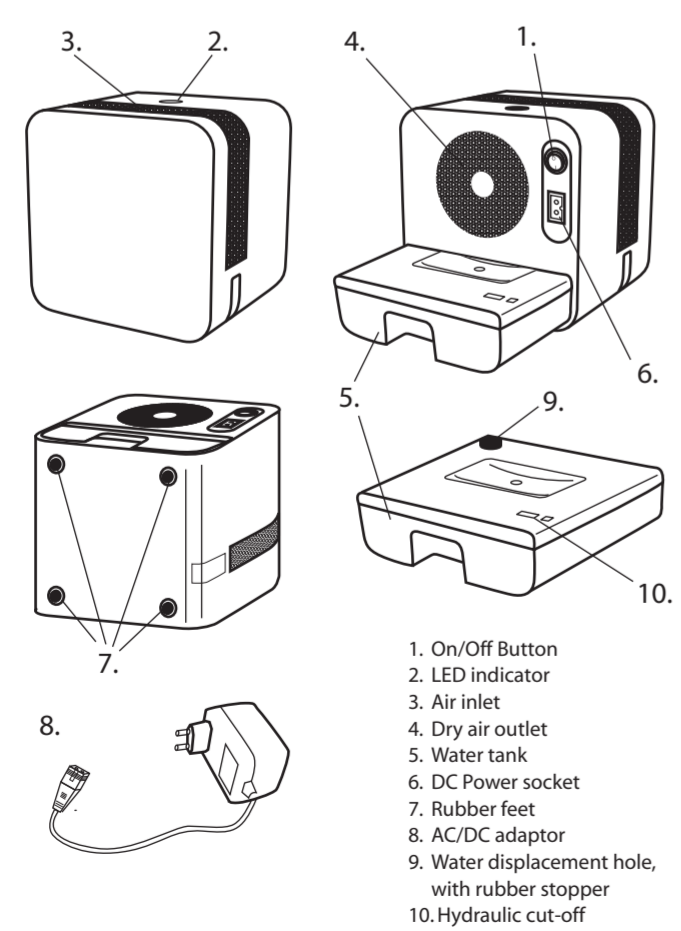
抽濕量
 Dehumidifying Capacity
 350ml/24hrs
 (30°C/80%RH)



使用說明書
 Instruction Manual

利用半導體抽濕技術, 無需壓縮機和化學物質, 方便、環保!
 Using thermoelectric Peltier technology, no compressor and chemical substances. Environmental friendly!

Parts Name



1. Function

This Mini Dehumidifier uses Peltier technology (no compressor), which makes it light and quiet. Patented ERS technology enhances dehumidifying performances. Poor ventilation causes odours and fungus in wardrobes, cabinets or storage rooms, etc. The Mini Dehumidifier eliminates this problem by keeping them free of unwanted moistures.
 The PCO (Photo Catalytic Oxidation) unit inside the air inlet uses the reactive between TiO2 and UV light, can eliminate germs, bacteria, allergens, smoke, odours and VOC (volatile organic compounds), ensures cleaner, purified air coming from the air outlet of the dehumidifier.

2. Specification

- Approximately 350ml per day at 30°C, 80% RH
- Input: AC100~240V, 50/60HZ Output: 9V 3A
- 650ml translucent water tank
- Unit Dimension: 150(L) x 178(W) x 178(H)
- Unit weight: 1050g ± 30g

3. Connection & Operation

1. After opening package, there are 2 items,
 A. Dehumidifier
 B. AC/DC Power adaptor
2. Plug the DC power jack of AC/DC power adaptor (8) to the DC power socket (6), then connect the AC plug of the AC/DC power adaptor to the appropriate main socket.
3. Press the On/Off Button (1) to "I" position, the dehumidifier will begin to operate. The LED indicator (2) will be turned on as Blue. A purple LED light (PCO) can be also seen lighting on inside the air inlet (3), indicating the PCO unit is on. Listen and feel for the air blowing from dry air outlet (4).
4. To switch off the unit, press "On/Off" button (1) to "O" position.

4. Removable water tank

1. When the water tank is full will approximately 650ml of water collected, hydraulic cut off (10) system activated and the unit will be switched off automatically. The LED indicator (2) will become orange.
2. To remove the water tank (5), first switch off the dehumidifier, press "On/Off" button to "O" position. Then remove the water tank from the unit and dispose the water properly. Pull up the rubber stopper (9) and dispose the water from the displacement hole.
3. After finish, plug back the rubber stopper into the displacement hole. And put the water tank back into the unit. To continue dehumidifying, press the "On/Off" button to "I" position again.

5. Cleaning

Before cleaning the unit, turn off the dehumidifier and unplug the AC plug from the main socket first. Use a piece of soft cloth to clean the surface of the product or use a brush to wipe the dust off the grills of the air inlet (3).

6. Caution

1. After having finished using the dehumidifier, the user should switch the unit off by pressing the "On/Off" button to "O" position.
2. Avoid using the AC/DC power adaptor in wet or damp place, and position it in areas where air ventilation is good.
3. Keep the top inlet grill (3) free from air blocking materials such as clothing, plastic bags or papers.
4. If the unit has been properly connected and no power is flowing, have the AC/DC power adaptor and the dehumidifier unit checked by a qualified electrician.
5. Always keep the unit in up-right, vertical position to avoid water leakage.

請記錄下列產品資料

- 型號 _____
- 機身編號 _____
- 經銷商名稱 _____
- 購買日期 _____

本產品不斷改進中, 如功能有所更改, 恕不另行通知, 如有疑問, 請與客戶服務中心聯絡, 不便之處, 敬請原諒。
 說明書內容以英文版本為準

ToolBox Customer Service Centre 客戶服務中心:
 新界荃灣白田壩街36-44號信義工業大廈7樓
 Customer Service Hotline 客戶服務熱線: (852) 8210 8210
 Service E-mail 電郵地址: 8210service@gilman-group.com
 Please register now at 請即上網登記: www.toolbox.hk
 Website 網址: www.gilman-group.com



2/F, Shing Dao Industrial Building, 232 Aberdeen Main Road, Hong Kong
 香港香港仔大道 232 號城都工業大廈 2 樓